

MICRO SWITCH
a Honeywell Division

SWITCH - ENCLOSED

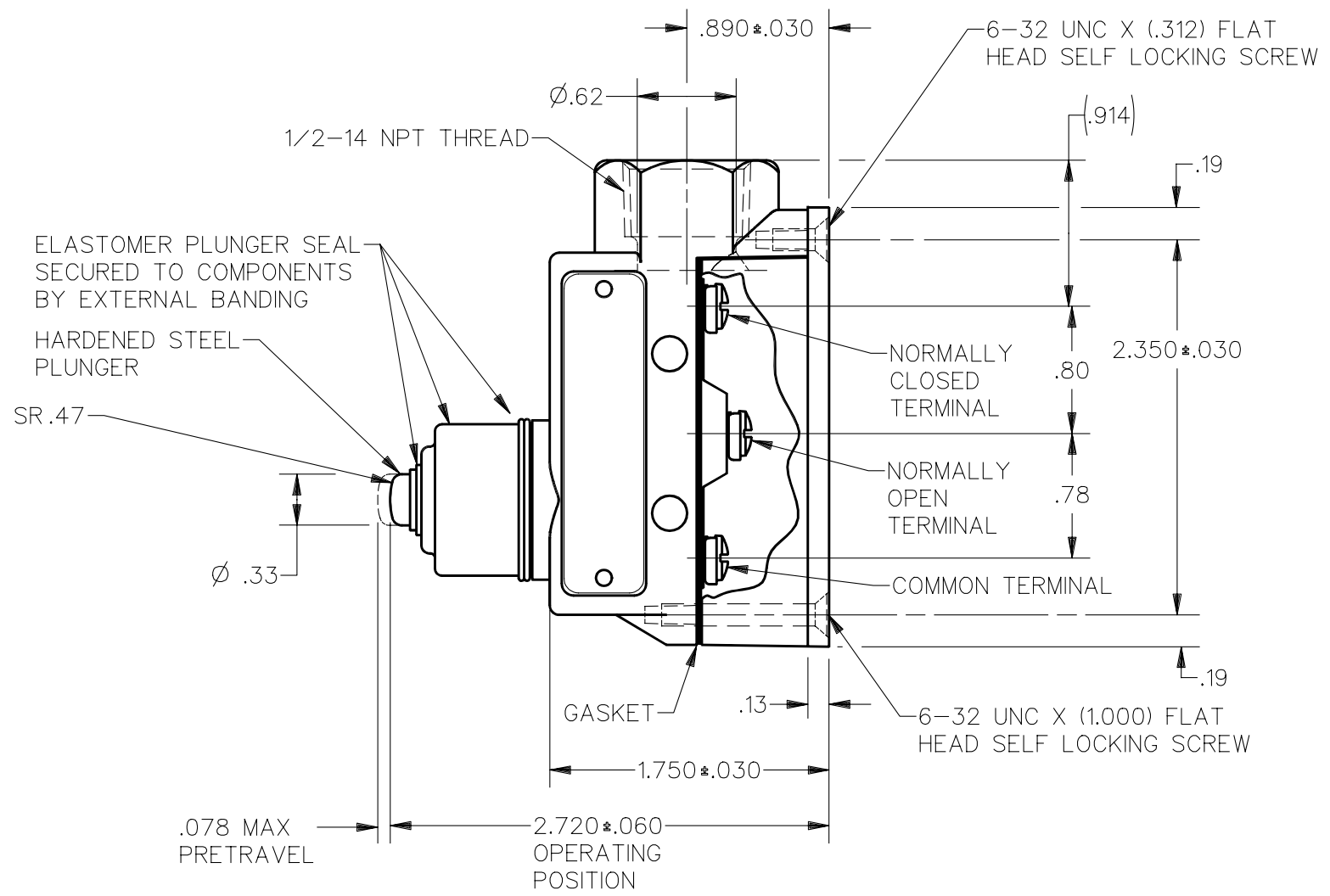
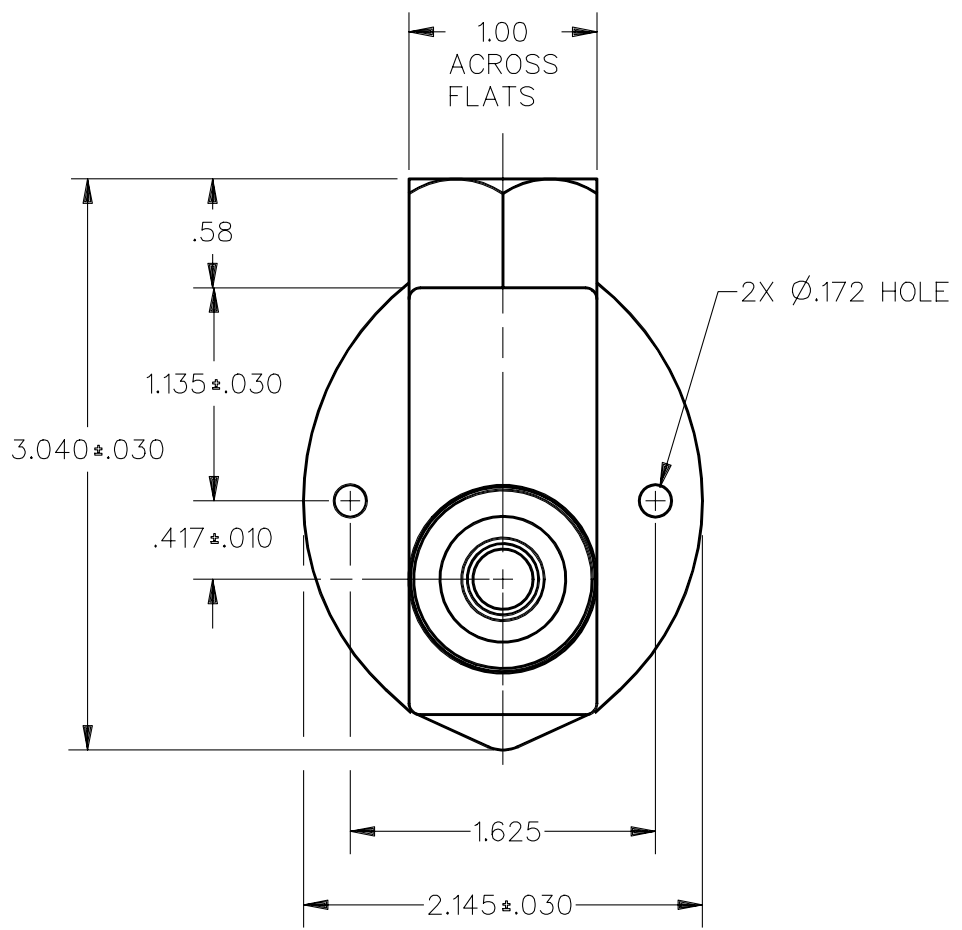
CATALOG LISTING
BZV6-2RN

FED. MFG. CODE 91929

CATALOG LISTING
BZV6-2RN
RELEASE NO. SR-7226
REPLACES
ISSUE
M
11

REVISIONS

A	CO-73736	S A V	6 OCT 92
B	CO-73655	T S M	22 APR 93
C	CO-77179-C	J J O	12 MAR 94



THIS DRAWING COVERS A PROPRIETARY ITEM AND IS THE PROPERTY OF MICRO SWITCH, A DIVISION OF HONEYWELL. THIS DRAWING IS NOT TO BE COPIED OR USED WITHOUT THE APPROVAL OF MICRO SWITCH

THIRD ANGLE PROJECTION

CHARACTERISTICS
OPERATING FORCE ——— 9-24 OZ
RELEASE FORCE ——— 4 OZ MIN
DIFFERENTIAL TRAVEL ——— .002 MAX
OVERTRAVEL ——— .219 MIN
BASIC SWITCH REPLACEMENT ——— BZ-2RQ77

ELECTRICAL DATA
CONTACT ARRANGEMENT S P D T
L74 15A 125, <u>250</u> OR 480 VAC 2A 600 VAC 1/8HP 125 VAC, 1/4HP <u>250</u> VAC 1/2A 125 VDC, 1/4A 250 VDC

SCALE	FULL
DO NOT SCALE PRINT	
UNLESS OTHERWISE SPECIFIED TOLERANCES ARE	
ONE PLACE	(.0) ±.030
TWO PLACE	(.00) ±.015
THREE PLACE	(.000) ±.005
ANGLES	±
WEIGHT	.62 LB

NOTE
1 - 3X 6-32 UNC X (.219) BINDING HEAD TERMINAL SCREW AND CUPWASHER



ANSI Y14.5M-1982 APPLIES

DDM/CAD
DRAWN
S A V 6 OCT 92
CHECK